

TRANSDUCER

ELECTRICAL AND THERMAL QUANTITIES TRANSDUCER



TRANSDUCER

Description

In automation, measurement, and control systems, there is often a need to convert different types of process signals.

For these applications, HVEX offers a line of voltage or current transducers with high reliability and precision for extreme environments, subject to voltage surges or electromagnetic induction.

Applications:

- Conversion of DC or AC voltage/current signals into DC voltage/current signals compatible with the standardized reading range of PLCs and controllers.
- Reading of RMS, peak, average, or harmonic values (up to the 11th order).
- Signal isolation.
- Electrical protection.

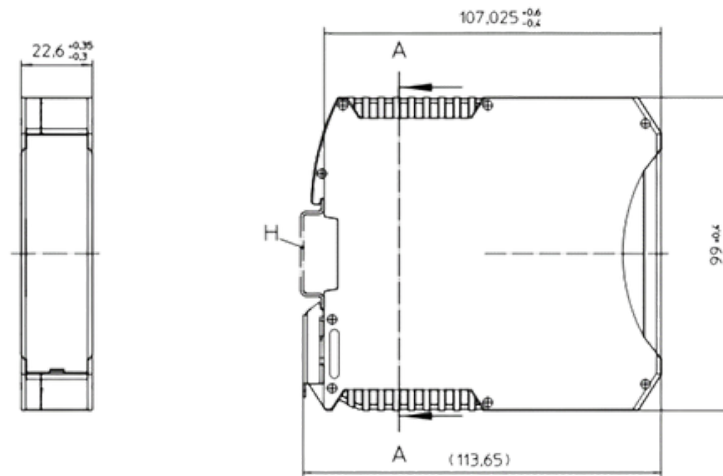
Features

- **Standardized outputs:** In accordance with instrumentation and automation circuit standards, HVEX transducers offer the following output ranges: 0-10 VDC or 0-20 mA or 4-20 mA.
- **DIN rail mounting:** The transducers are manufactured in a compact case that allows easy installation in electrical panels by mounting on a 35 mm DIN rail.
- **Isolated circuit:** They feature isolation between input, output, and power supply.
- **Resilience to extreme events:** HVEX transducers were initially developed for application in atmospheric and switching impulse voltage generators. Therefore, the internal circuitry is robust to transient signals as well as electromagnetic interference.

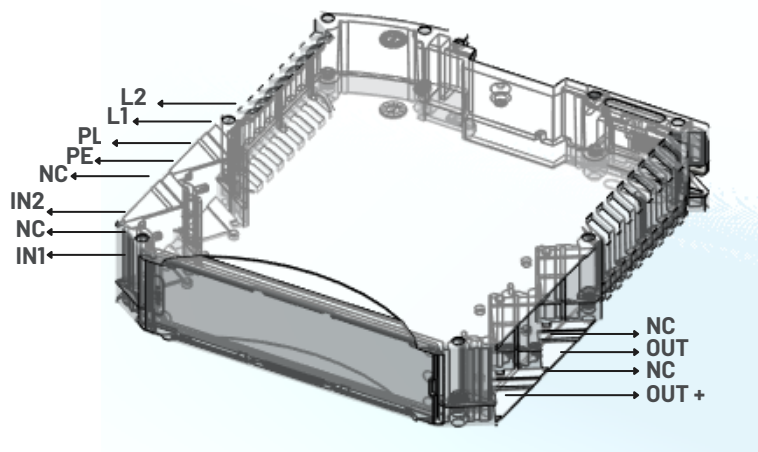


TRANSDUCER

Dimensions



Terminals



Input/Output Terminals

L1	Power supply – Phase 1
L2	Power supply – Phase 2
PE	Grounding
IN1	Input – Phase 1 (CA) or Terminal + (CC)
IN2	Input – Phase 2 (CA) or Terminal - (CC)
OUT+	Output Terminal +
OUT-	Output Terminal -
NC	Not connected

Technical Specifications

Power supply	100-240 V / 45 mA / 50-60 Hz
Input	AC: Up to 380 V
	DC: Up to 400 V
Output	0 - 10 VCC or 0 - 20 mA or 4 - 20 mA / -10 to 10
Uncertainty	< 0,2
Working Range	%5 to 100%
Data acquisition rate	2 kSa/s
Resolution	12 bits
Connection	DIN rail 35 mm
Protection degree	IP-20
Operating Temperature	-10 °C to 60 °C
Humidity	Up to 95% non-condensing

AVAILABLE SETTINGS:

For purchase orders, define the best reading and output range for the selected transducer and indicate the type of signal reading, in the case of alternating voltage/current transducers.

Technical Specifications - Alternating Current Transducer

Reading range	0 - 200 mA
	0 - 300 mA
	0 - 500 mA
	0 - 750 mA
	0 - 1 A
	0 - 1,2 A
	0 - 2 A
	0 - 2,5 A
	0 - 3 A
	0 - 5 A
	0 - 100 A
	0 - 500 A
	0 - 1000 A
	0 - 2000 A
	0 - 5000 A
Input signal reading type	RMS
	Peak
	Average value
	Harmonics (up to the 9th)
Output	0 - 5 V
	0 - 10 V
	0 - 20 mA
	4 - 20 mA
	± 5 V
	± 10 V
	± 20 mA

Technical Specifications - Alternating Voltage Transducer

Reading range	0 - 10 V
	0 - 115 V
	0 - 120 V
	0 - 150 V
	0 - 200 V
	0 - 250 V
Input signal reading type	RMS
	Peak
	Average value
	Harmonics (up to the 11th)
Output	0 - 5 V
	0 - 10 V
	0 - 20 mA
	4 - 20 mA
	± 5 V
	± 10 V
	± 20 mA

We provide solutions for improvement of electrical energy generation, transmission and distribution efficiency, quality and reliability. With a highly specialized and experienced team in research, development and innovation, HVEX develops tailor-made solutions for Brazilian and foreign markets. Wide range of products with solutions focused on signal transduction, measurement, monitoring and protection.



Driving Innovation



☎ 35 3622-2699

✉ contato@hvex.com.br

🌐 www.hvex.com.br

📍 R. Ismael Pinto de Noronha, 86,
Nossa Sra. de Fatima, Itajubá-MG