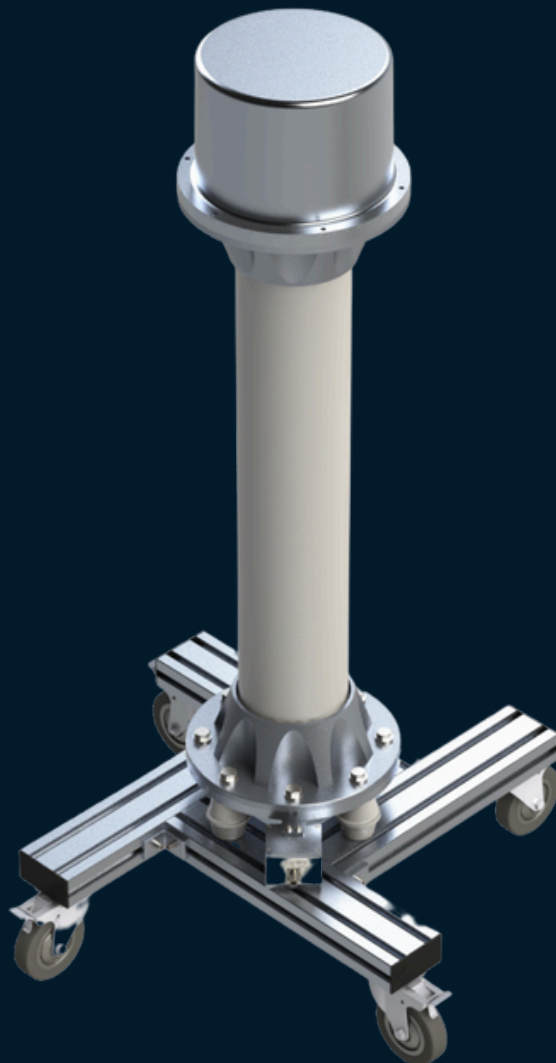


CAPACITIVE DIVIDER

COUPLING CAPACITOR

Standards

IEEE Std C57.124, IEEE Std C27.113, IEE Std 1434, IEC 60270, IEC 60060, IEEE Std. 400, NBR 5356.



COUPLING CAPACITOR

Description

The **coupling capacitor**, in its applied context, refers to a capacitive or resistive-capacitive divider capable of regulating the voltage relationship between an input point and a supply point, often for a measurement, protection, control, or automation circuit.

This method of voltage division proves to be an effective and precise way to obtain signals with controlled amplitude and phase, with applications ranging from electrical monitoring and protection to communication filters and data acquisition, partial discharge measurement, radio interference, among others.

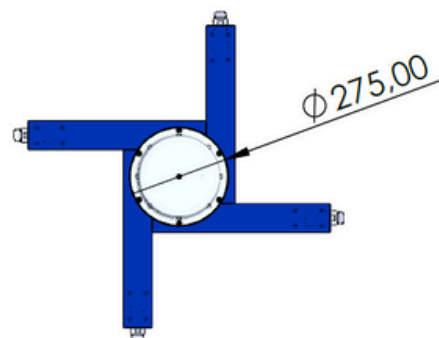
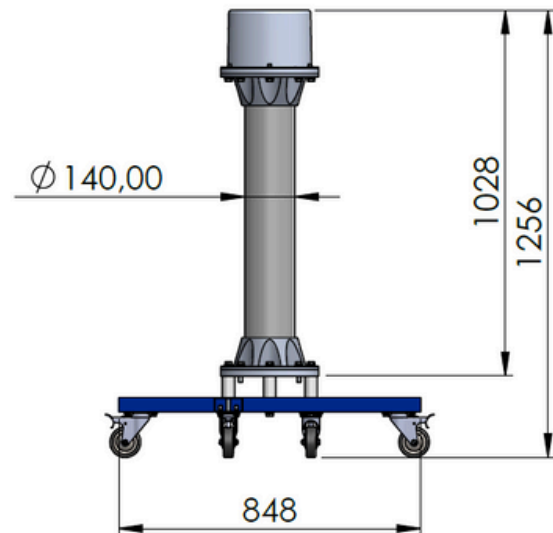
HVEX coupling capacitors offer high precision and reliability.

Applications:

- Hydrogenerators;
- Transformers and live tank circuit breakers;
- Energized buses;
- Cables;
- Joints and terminations (in laboratories);
- Reactors and capacitors.

Benefits

- Allows real-time analysis locally or remotely;
- 100% national design and manufacturing;
- Direct technical support from HVEX.
- Customizable software;
- Permanent or temporary installation;
- 2 years warranty.



Technical Specifications

Voltage	Up to 1200 kV
Capacitance	80 pF
	100 pF
	200 pF
	500 pF
	1000 pF
Capacitance	5000 pF
	10000 pF
	100000 pF
Humidity	< 90% non-condensing
Standards	IEEE Std C57.124 IEEE Std C27.113
	IEE Std 1434 IEC 60270
	IEC 60060 IEEE Std. 400 NBR 5356
Coupling capacitor for internal use	Does not have an insulating element or hydrophobic silicone protector (protective skirt/hood)
Coupling capacitor for external use	It has an insulating element and a hydrophobic silicone protector (protective skirt/hood)

We provide solutions for improvement of electrical energy generation, transmission and distribution efficiency, quality and reliability. With a highly specialized and experienced team in research, development and innovation, HVEX develops tailor-made solutions for Brazilian and foreign markets. Wide range of products with solutions focused on signal transduction, measurement, monitoring and protection.



Boosting the Innovation



☎ 35 3622-2699

✉ contato@hvex.com.br

🌐 www.hvex.com.br

📍 R. Ismael Pinto de Noronha, 86,
Nossa Sra. de Fatima, Itajubá-MG