

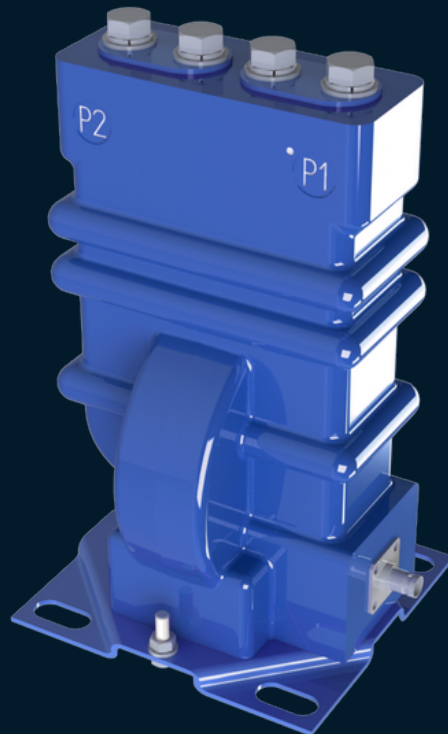


BDC - 10I

ELECTRONIC CURRENT TRANSFORMER

Standards

IEC 61869-10, IEC 60529, IEC 60255-21, IEC 60068-2, IEC 60060-1, IEC 61000-4-2, IEC 61000-4-3, IEC 61000-4-5, IEC 61000-4-6, IEC 61000-4-8



Electronic CT

Description

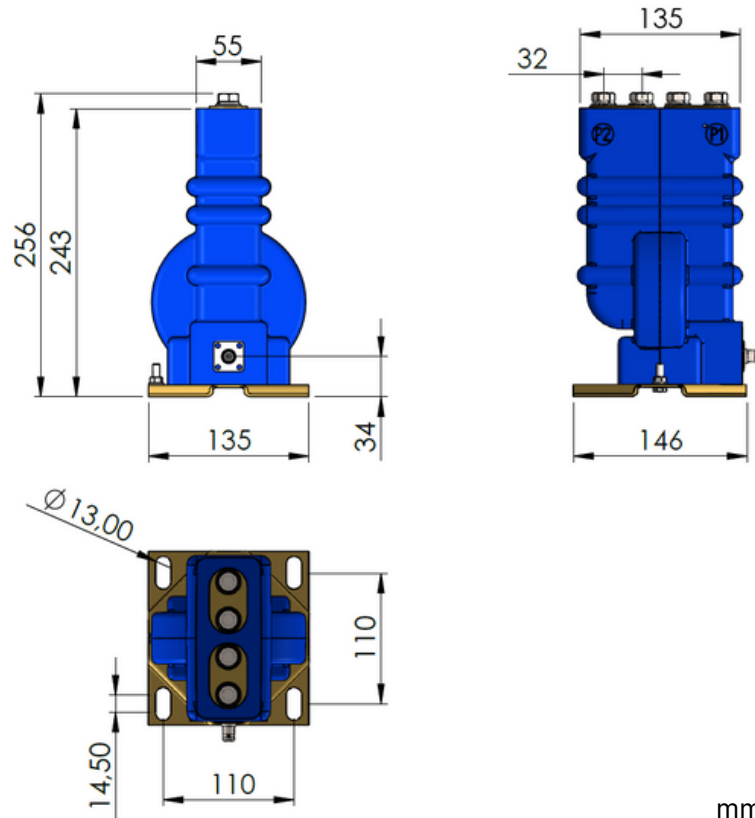
Electronic current transformers are current transducers with high linearity, operating up to 1,2 times the nominal current. They do not exhibit traditional problems like saturation, resonance, core polarization, or failure due to high-frequency and voltage transients. There are no risks associated with leaving the secondary terminal open.

- They are ideally used in relays and electronic measurement circuits, consuming low power from the secondary terminal.
- They are lighter and more compact, making them ideal for panels and cubicles.
- They are not recommended for applications that require high energy consumption, such as electromechanical relays or power supplies.

The manufacturing matrix of the eCT is entirely Brazilian, developed by HVEX and manufactured by Brasformer.

- Mountable in any position
- Temperature class B (130°C)
- Indoor use
- Bolts, bases, and washers made of zinc-plated steel

The dimensions of the electronic CT depend on its withstand voltage, with options including 17.5 kV, 24 kV, and 36 kV. Different values can be studied upon request by contacting the companies. An example dimensional drawing is provided:



Technical Specifications

Aspect	Unit	Option 1	Option 2	Option 3
Maximum voltage	kV	17,5	24	36
Industrial frequency voltage	kV	34	50	70
Insulation Level	kV	95	125	170
Escape line	mm	180	238	321
Frequency	Hz	60	60	60
Accuracy test		0,2%	0,3%	3%
Rated current	A		25 to 5 k	
Maximum current	A		25 k	
Secondary currents	1 or 5 A with potential aplifier (optional) or 333 mV			
Power	0,1 VA, for further powers acquire with power amplifier			
Application	Panels, exclusive relays with voltage protection function, or differential.			
ANSI protection functions			27 59 87	

It features intrinsic protection on the secondary, set at 180 V, preventing overvoltage on the relay.

It has internal protection against open CT.

Not suitable for electromechanical relays.

Consult HVEX universal transducer or amplifiers for other applications.

We provide solutions for improving the efficiency and quality of the energy generation, transmission, and distribution sectors. With a highly specialized team experienced in research, development, and innovation, HVEX in partnership with Brasformer has been developing customized solutions for the Brazilian market. Our wide range of products includes solutions tailored for signal measurement and protection transduction.



Boosting the Innovation



☎ 35 3622-2699

✉ contato@hvex.com.br

🌐 www.hvex.com.br

📍 R. Ismael Pinto de Noronha, 86,
Nossa Sra. de Fatima, Itajubá-MG