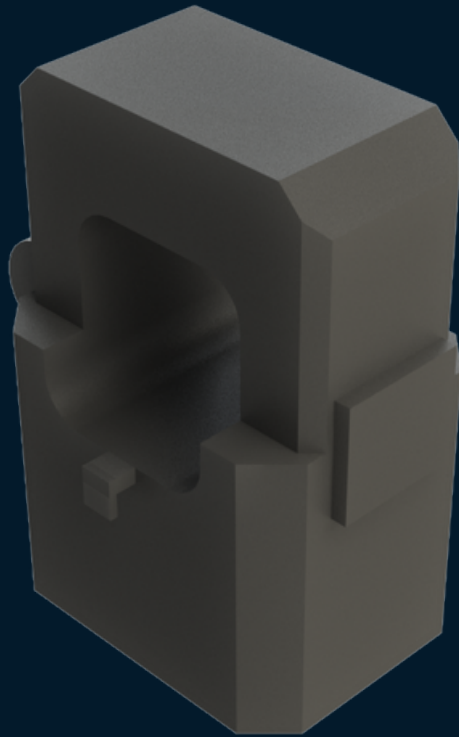


SPLIT CORE CT

---

## SPLIT CORE CURRENT TRANSFORMER



---

# SPLIT CORE CT

---

## Description

The Split Core CT is a type of transformer used to measure electrical currents in power systems. Its name comes from its design, which splits the core into two parts, allowing the sensor to be easily placed around an existing conductor without the need to disconnect the circuit.

This facilitates installation in existing electrical systems since there's no need to interrupt the current flow for it.

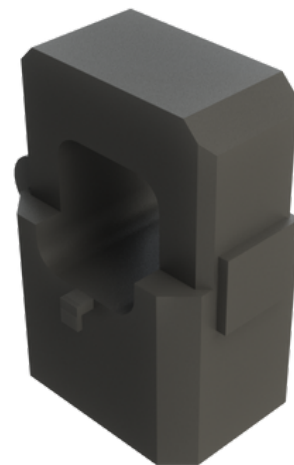
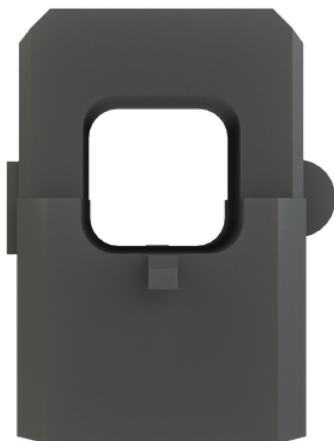
The split core CT is often used in energy monitoring applications, such as in electrical energy measurement systems, solar inverters, real-time energy monitoring equipment, among others. It allows for accurate measurement of electrical current without interrupting the main circuit.

## Benefits

- Easy implementation in established circuits;
- Ideal for distributed measurement systems;
- Can be mounted in existing electrical installations without interrupting connections;
- Applicable in energy efficiency monitoring and automation systems.

## Advantages

- Versatility;
- Robustness;
- Accuracy.

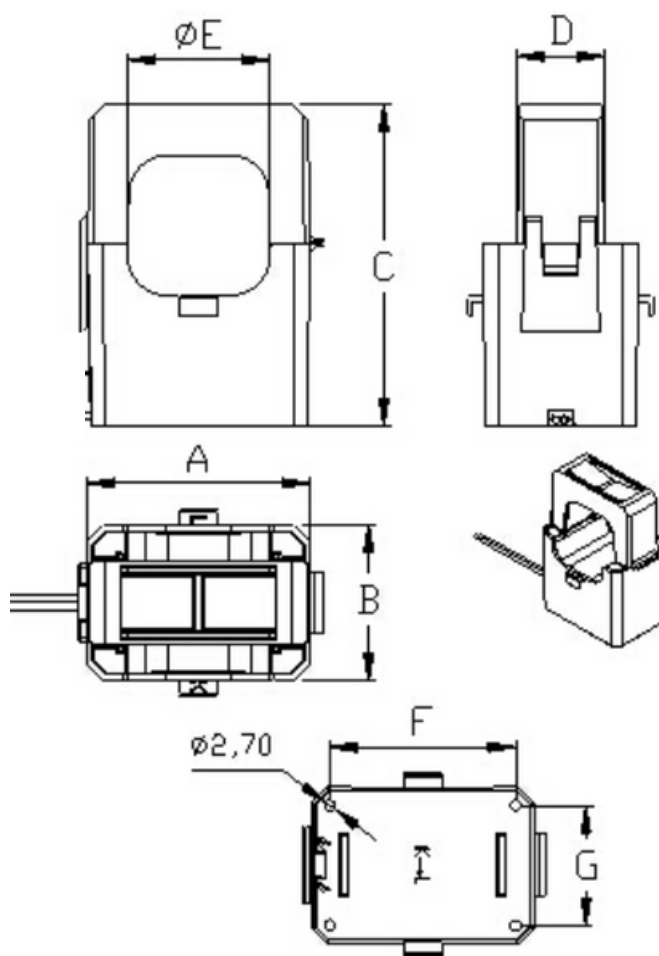


---

# SPLIT CORE CT

---

## Dimensions



---

A	58 mm (max)
B	$40,5 \pm 0,3$ mm
C	84,8 mm (max)
D	$22,5 \pm 0,3$ mm
E	$36,5 \pm 0,5$ mm
F	$48 \pm 0,1$ mm
G	$31 \pm 0,1$ mm

---

## Technical Specifications

Frequency range	50 Hz to 60 Hz
Dielectric withstand	2000 VRMS for 1 min between primary and secondary
Rated input current range	10 A to 200 A
Maximum current	600 A
Rated Load Resistor	20 $\Omega$
Output range	0 to 500 mA; 1 A; 5 A
Accuracy	0,5% to 3% Within the linearity range
Linearity error	1 % (5 A to 600 A)
Operating Temperature	-10°C to 50°C with 0 to 80% of relative humidity
Storage Temperature	-30 °C to 80 °C with 0 to 80% of relative humidity

We provide solutions for improvement of electrical energy generation, transmission and distribution efficiency, quality and reliability. With a highly specialized and experienced team in research, development and innovation, HVEX develops tailor-made solutions for Brazilian and foreign markets. Wide range of products with solutions focused on signal transduction, measurement, monitoring and protection.



Boosting the Innovation



☎ 35 3622-2699

✉ [contato@hvex.com.br](mailto:contato@hvex.com.br)

🌐 [www.hvex.com.br](http://www.hvex.com.br)

📍 R. Ismael Pinto de Noronha, 86,  
Nossa Sra. de Fatima, Itajubá-MG